



# S10B-9011BA

S100

2D LASER SCANNERS

**SICK**  
Sensor Intelligence.



### Ordering information

Type	Part no.
S10B-9011BA	1042266

Other models and accessories → [www.sick.com/S100](http://www.sick.com/S100)



### Detailed technical data

#### Features

<b>Version</b>	Short Range
<b>Field of application</b>	Indoor
<b>Light source</b>	Infrared (905 nm)
<b>Laser class</b>	1 (21CFR 1040.10, 21CFR 1040.11, IEC60825-1:2001)
<b>Aperture angle</b>	270°
<b>Scanning frequency</b>	25 Hz
<b>Angular resolution</b>	0.5° 1°
<b>Operating range</b>	0 m ... 10 m
<b>Max. range with 10 % reflectivity</b>	4.5 m

#### Performance

<b>Detectable object shape</b>	Almost any (diameter: 30 mm, 40 mm, 50 mm, 70 mm, 150 mm (selectable))
<b>Integrated application</b>	Field evaluation
<b>Number of field sets</b>	1 field pair (2 fields)
<b>Simultaneous evaluation cases</b>	1 (2 fields)

#### Interfaces

<b>Serial (RS-232)</b>	✓
<b>CAN bus</b>	✓
Protocol	CANopen
<b>Switching inputs</b>	1
<b>Switching outputs</b>	2
<b>Optical indicators</b>	1 7-segment display (contamination warning, initial condition)

#### Mechanics/electronics

<b>Electrical connection</b>	1 x system plug with screw terminal block (accessory)
<b>Operating voltage</b>	16.8 V DC ... 30 V DC
<b>Power consumption</b>	8 W

<b>Output current</b>	≤ 250 mA
<b>Housing color</b>	Black (RAL 9005)
<b>Enclosure rating</b>	IP 65 (EN 60529, Section 14.2.5)
<b>Protection class</b>	II (VDE 0106, EN50178)
<b>Weight</b>	1.2 kg, without connecting cables
<b>Dimensions (L x W x H)</b>	105 mm x 102 mm x 152 mm

Ambient data

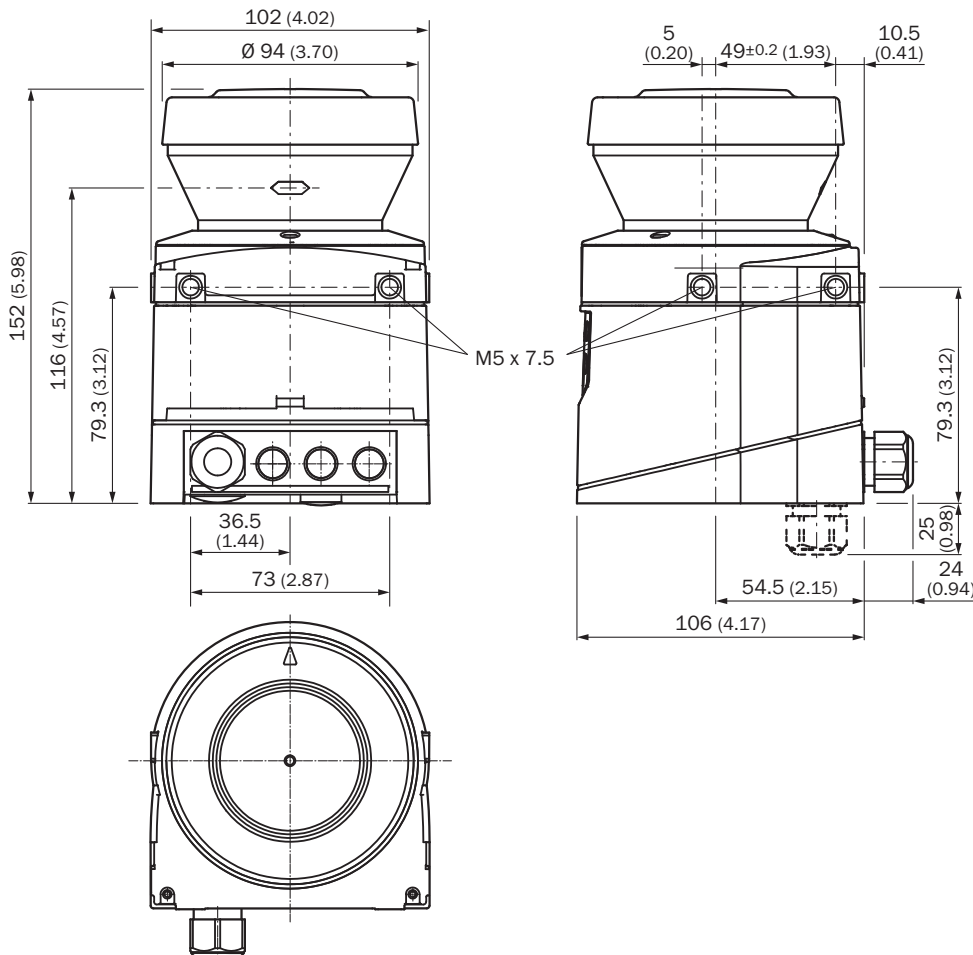
<b>Object remission</b>	1.8 % ... > 1,000 % (reflectors)
<b>Ambient operating temperature</b>	-10 °C ... +50 °C
<b>Storage temperature</b>	-30 °C ... +70 °C

General notes

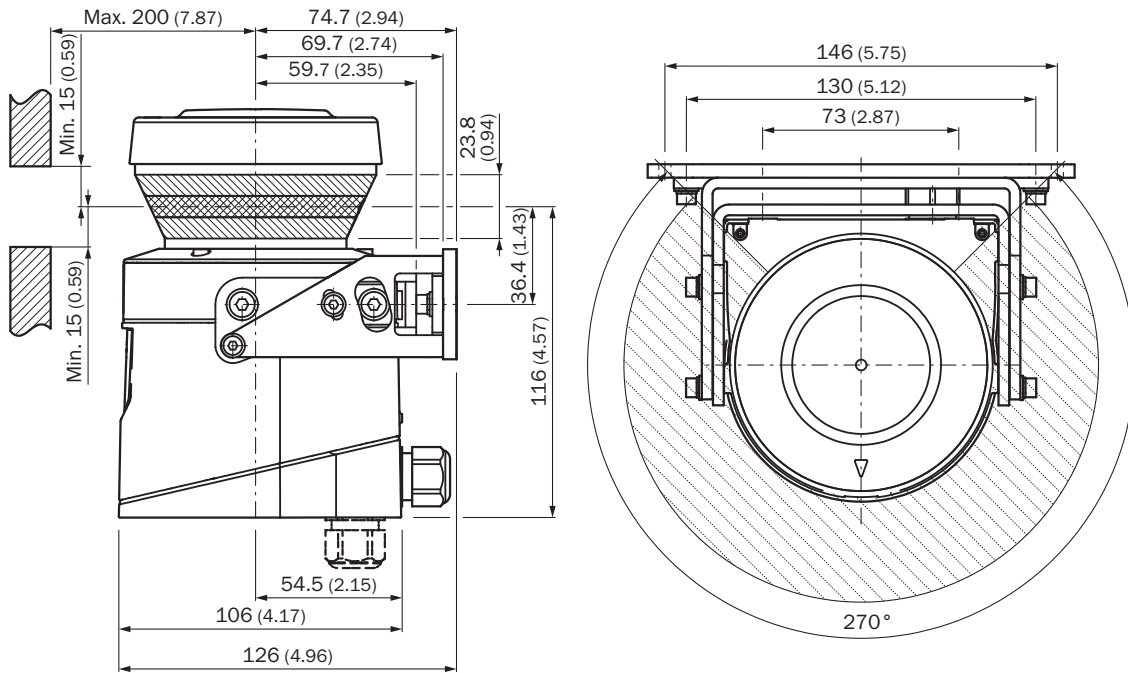
<b>Note on use</b>	Not suitable for personnel protection
--------------------	---------------------------------------

Dimensional drawing (Dimensions in mm (inch))

Laser scanner

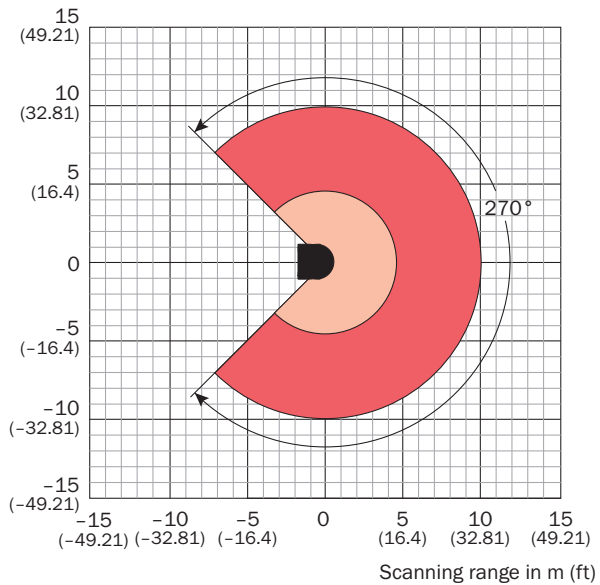


### Origin of scan plane



### Operating range diagram




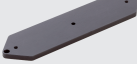






Scanning range in m (ft)



- Scanning range max. 10 m (32.81 ft)
- Scanning range for objects up to 10 % remission 4.5 m (14.76 ft)

## Recommended accessories

Other models and accessories → [www.sick.com/S100](http://www.sick.com/S100)

	Brief description	Type	Part no.
<b>Mounting brackets and mounting plates</b>			
	1 piece, mounting bracket for rear mounting on wall or machine	Mounting kit 1a	2034324
	1 piece, mounting bracket for rear mounting on wall or machine with protection of optics hood	Mounting kit 1b	2034325
	1 piece, mounting bracket, adjustable lateral axis, only in conjunction with mounting kit 1a (2034324) or 1b (2034325)	Mounting kit 2	2039302
	1 piece, mounting plate, adjustable longitudinal axis, only in conjunction with mounting kit 2 (2039302)	Mounting kit 3	2039303
<b>Power supply units and power cord connectors</b>			
		PS50WE24V	7028789
		PS95WE24V	7028790
<b>Plug connectors and cables</b>			
	Head A: male connector, M8, 4-pin, straight Head B: male connector, USB-A, straight Cable: PVC, unshielded, 2 m For connecting the configuration connection to the USB interface on the PC	DSL-8U04G02M025KM:	6034574
	Head A: system plug Cable: without cable Not for use of incremental encoders, integrated configuration storage	SX0B-A0000G	2032807
	Head A: system plug Cable: pre-assembled, PVC, unshielded, 10 m Not for use of incremental encoders, integrated configuration storage	SX0B-B1110G	2032860
<b>Optics cloths</b>			
	Cloth for cleaning the front screen	Lens cloth	4003353

## SICK AT A GLANCE

SICK is one of the leading manufacturers of intelligent sensors and sensor solutions for industrial applications. A unique range of products and services creates the perfect basis for controlling processes securely and efficiently, protecting individuals from accidents and preventing damage to the environment.

We have extensive experience in a wide range of industries and understand their processes and requirements. With intelligent sensors, we can deliver exactly what our customers need. In application centers in Europe, Asia and North America, system solutions are tested and optimized in accordance with customer specifications. All this makes us a reliable supplier and development partner.

Comprehensive services complete our offering: SICK LifeTime Services provide support throughout the machine life cycle and ensure safety and productivity.

For us, that is “Sensor Intelligence.”

## WORLDWIDE PRESENCE:

Contacts and other locations –[www.sick.com](http://www.sick.com)